

# 20 Watts

## AS7304

**Total Power:** 20 Watts  
**Input Voltages:** 48V  
**No. of Outputs:** Single



### Special Features

- 20 W, Single output
- Unencapsulated package
- 2.5x3.0x0.5 case
- Industry standard package

### Environmental

Operating base temperature range:  
 -40°C to +105°C (full load, no derating)  
 Storage temperature: -55°C to +125°C  
 Humidity: 5% to 95% (non-condensing)  
 EMI RFI Shielding: Six sided (except 033-M1)  
 MTBF: 361,000 hours (MIL HDBK-217)

### Safety

**UL** UL1950 Recognition  
**CSA** CSA22.2-950 Recognition  
**TUV** EN60950 Recognition

### Electrical Specs

#### Input

Input range 36 to 75 VDC  
 Input capacitance 1.6 $\mu$ F typ  
 No load input power 150mW max  
 Efficiency 84% typical (5V)

#### Output

Voltage tolerance  $\pm$ 1.0%  
 Overall regulation  $\pm$ 2% max  
 Noise/ripple 1% (mV P-P)  
 Short circuit protection Continuous Power Cycle  
 Overvoltage protection Zener Clamp (125% of nom)  
 Transient response 1 msec typical (50% step load change to within 1%Vo)

Temperature Coefficient  $\pm$ 0.02 °C  
 Switching frequency 400kHz

#### Control

Enable On=2.5 to 5.5 Vdc or open circuit  
 Off = 0 to 0.8 vdc  
 Ref to -Vin TTL Compatible

Input current (enable OFF) <10ma  
 Thermal shutdown 110°C Baseplate temperature

#### Isolation

I/O isolation 1500 VDC



## Ordering Information

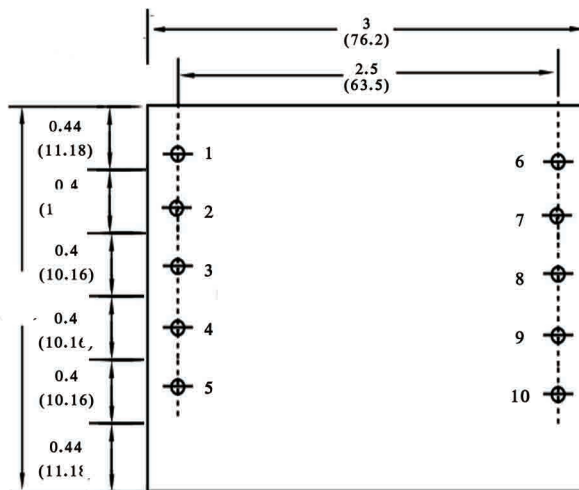
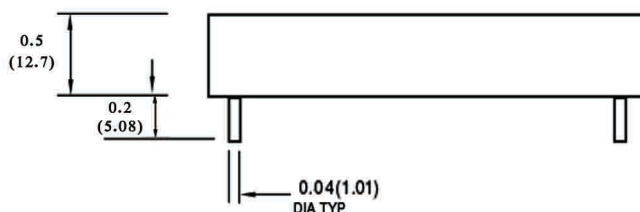
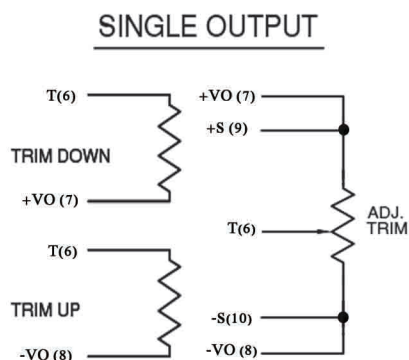
Input Voltage	Output Voltage	Model Number
36-75 vdc	5V/2A	AS7303
36-75 vdc	5V/4A	AS7304
36-75 vdc	5V/8A	AS7305

## Pin Assignments

### Single Output

- |            |                  |
|------------|------------------|
| 1 - ON/OFF | 6 - T(Trim)      |
| 2 - No pin | 7 - + Vo         |
| 3 - + Vin  | 8 - -Vo          |
| 4 - -Vin   | 9 - +S (+sence)  |
| 5 - No pin | 10 - -s(- sence) |

Note : warranty 2 yr



Top view

ALL DIMENSIONS ARE IN INCHES (mm)

Case Material: Metal base/cover  
 Weight: 2.5 oz./68 gr